

Devices raised mounting

Emergency-stop pushbutton actuator, foolproof EN IEC 60947-5-5

Application as per DIN EN ISO 13850 and EN 60204-1



	Front protection	Switching action	Mushroom had cap	Marking	Ø 37 mm Typ-Nr.	Mounting dimensions	Technical drawing	Circuit drawing	IP
Emergency-stop pushbutton actuator, foolproof EN IEC 60947-5-5 Yellow actuator Key to unlock anti-clockwise Standard lock 9500 Max. 2 Slow-make elements can be clipped on	IP 65	MA	Plastic red	Arrows	704.066.2	2	24	7	0.300
Yellow actuator Twist to unlock anti-clockwise Max. 2 Slow-make elements can be clipped on	IP 65	MA	Plastic red	Arrows	704.064.2	2	14	7	0.300

Switching action: MA = Maintained action

Mounting dimensions from page 86, Technical drawing from page 90, Circuit drawing from page 109

Technical Data

Buzzer

Buzzer system

System
Piezo disc

Material

Alarm buzzer case
Polyamide

Front cap
Plastic Polyamide
Metal Nickel-plated brass (sea-water proof)

Mechanical characteristics

Terminals
Plug-in terminal 2.8 x 0.5 mm

Electrical characteristics

Frequency (tone)
approx. 2.8 kHz continuous tone only

Sound pressure
95 db (A) ± 8 dB at a distance of 0.1 m

Operation Voltage/Current
Operation Voltage 24 VDC ± 10 %
Operation Current ≤ 25 mA

Environmental conditions

Storage temperature
-35 °C ... +85 °C

Operating temperature
-25 °C ... +55 °C

Protection degree
as per EN IEC 60529, frontside
IP 40, devices flush mounting
IP 65, devices raised mounting

Approvals

Declaration of conformity
CE
RoHS

Actuator

Material

Front ring
Polyamide, Aluminium or Stainless steel

Mounting flange
Polyethylene terephthalate

Actuator housing
Polycarbonate, Polyamide

Mechanical characteristics

Actuating force
Mounting style square flush 6.2 N
other Mounting styles 8 N

Actuating travel
5.8 mm ± 0.2 mm

Mechanical lifetime
(with 1 switching element)

Pushbutton	≤ 3 million	Cycles of operation
Selector switch	≤ 2.5 million	Cycles of operation
Stop switch	≤ 50 000	Cycles of operation
Fool proofed E-stop	≥ 6050	Cycles of operation
Keylock switch	≤ 50 000	Cycles of operation
Key insert switches	≤ 250 000	Cycles of operation

Electrical characteristics

Standards
The switches comply with the "Rules for low-voltage switching devices" EN IEC 60947-5-1

Environmental conditions

Storage temperature
-30 °C ... +85 °C

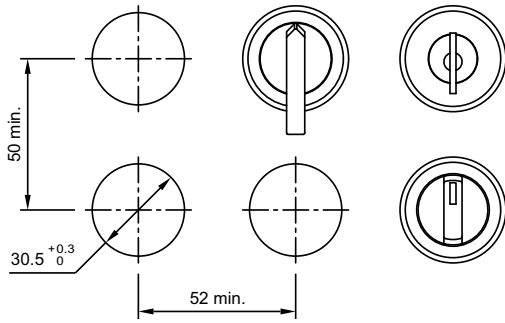
Operating temperature
-25 °C ... +55 °C (with LED)
-25 °C ... +40 °C (with filament lamp)
-40 °C ... +85 °C (Key insert switch)

Protection degree
as per EN IEC 60529
frontside IP 65 (IP 67 Key insert switch)

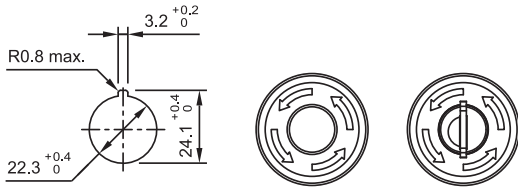
Drawings

Mounting dimensions

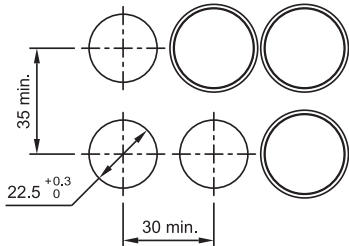
1 Rotary selector switch actuator, short lever, flush mounting page 43 | Rotary selector switch actuator, long lever, flush mounting page 43



2 Emergency-stop pushbutton actuator, foolproof EN IEC 60947-5-5 page 21

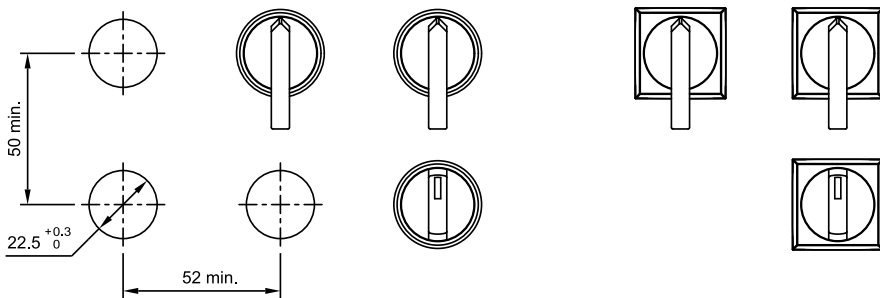


3 Indicator full-face illumination compact page 12



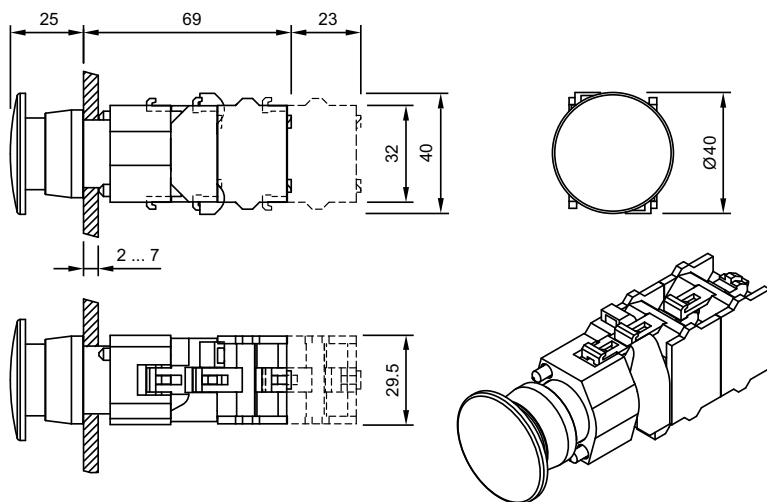
Hole spacing 31 mm min. by using blind plug 704.960.4

4 Rotary selector switch actuator, short lever page 30 | Rotary selector switch actuator, long lever page 30

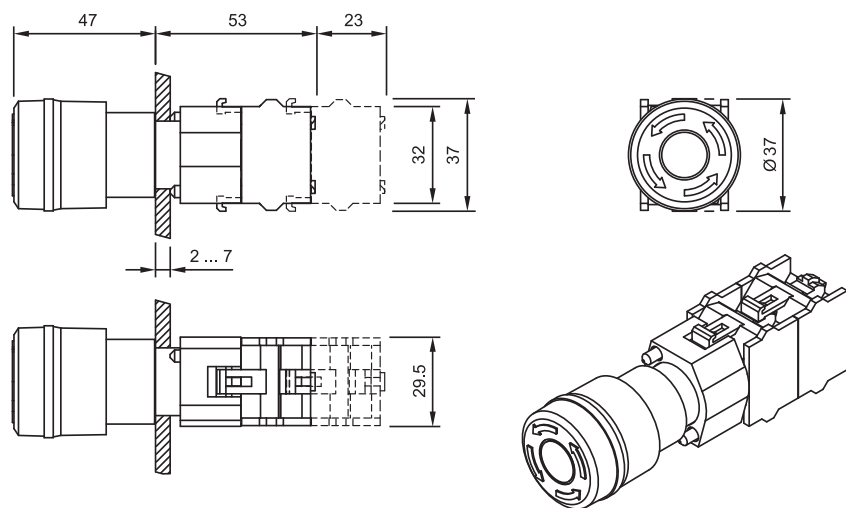


Drawings

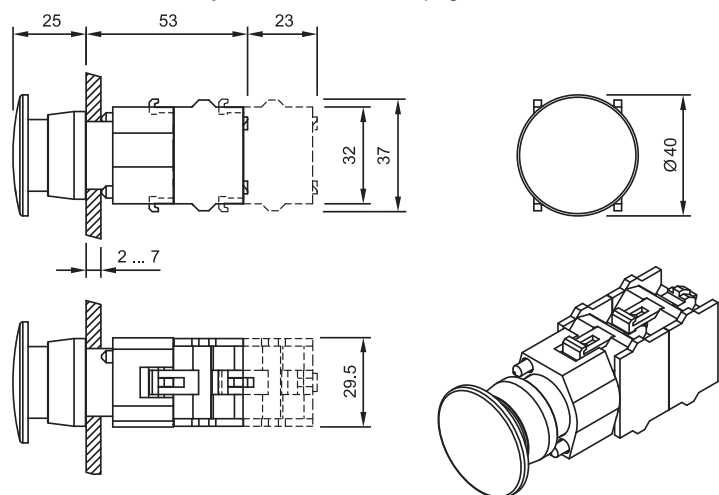
13 Mushroom-head pushbutton actuator illuminated page 24



14 Emergency-stop pushbutton actuator, foolproof EN IEC 60947-5-5 page 21

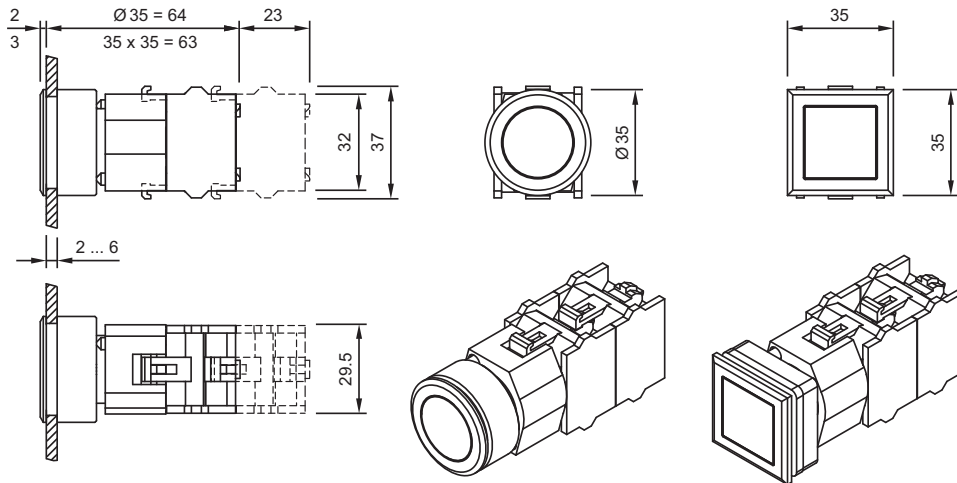


15 Mushroom-head pushbutton actuator page 23

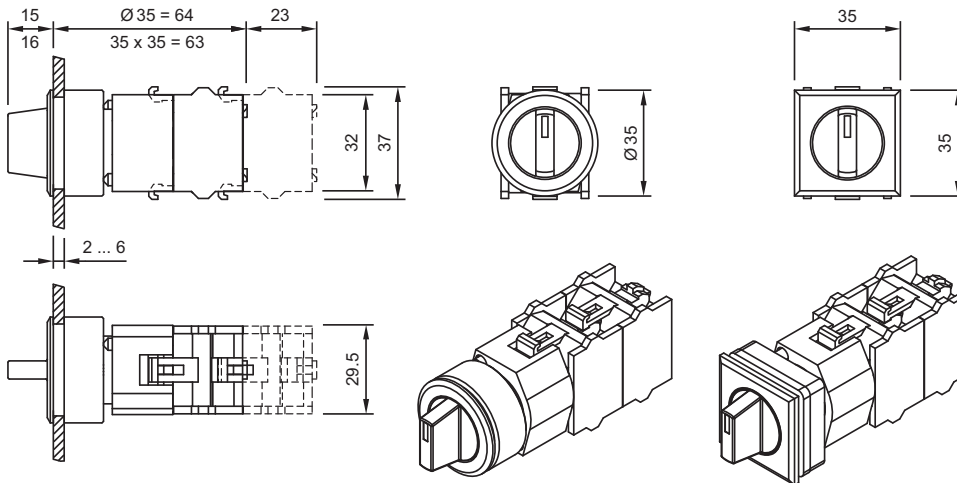


Drawings

22 Pushbutton actuator, flush mounting page 33



23 Selector switch actuator 2 positions, short lever, flush mounting page 39 | **Selector switch actuator 3 positions, short lever, flush mounting** page 41 | **Selector switch actuator 3 positions, long lever, flush mounting** page 42



24 Emergency-stop pushbutton actuator, foolproof EN IEC 60947-5-5 page 21

